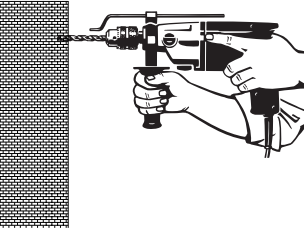
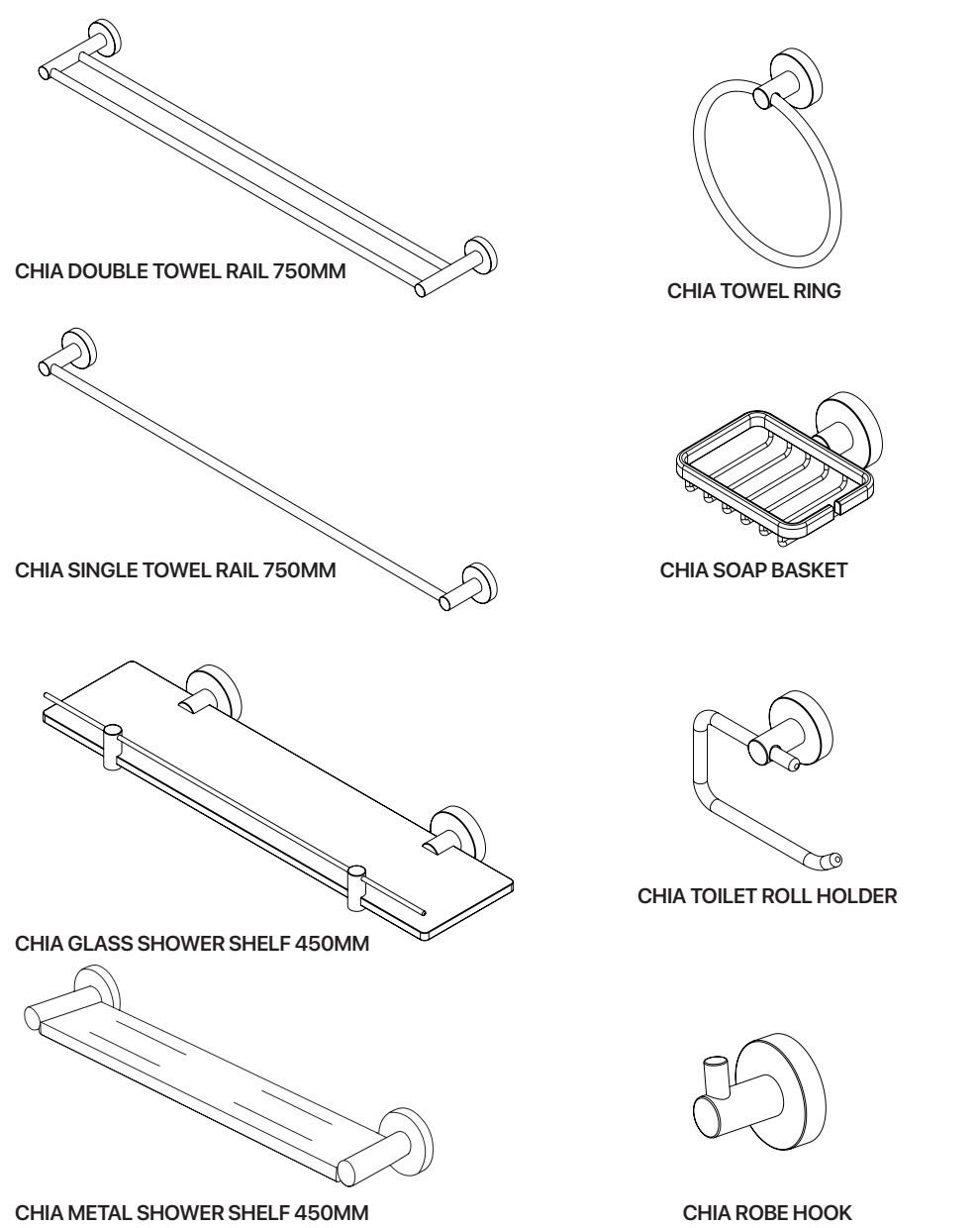
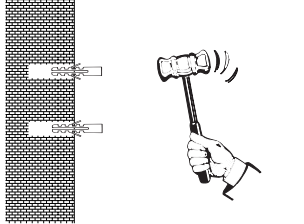
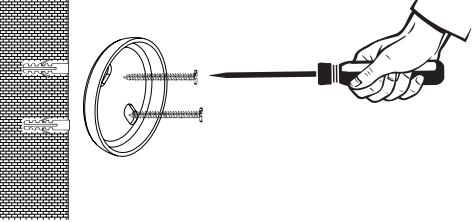
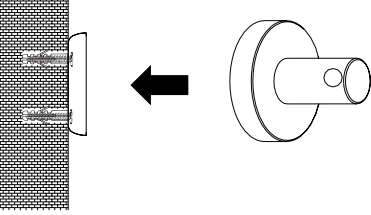
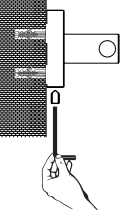


INSTALLATION / MAINTENANCE INSTRUCTIONS

CHIA ACCESSORIES

STEP 1		<p>Using the holes in the mounting plate measure and mark on the wall the position required for installation. Arrange mounting plate horizontally or vertically depending on product, drill holes where marked.</p>	 <p>CHIA DOUBLE TOWEL RAIL 750MM</p> <p>CHIA SINGLE TOWEL RAIL 750MM</p> <p>CHIA GLASS SHOWER SHELF 450MM</p> <p>CHIA METAL SHOWER SHELF 450MM</p> <p>CHIA TOWEL RING</p>
STEP 2		<p>For solid walls insert wall plugs, for other walls please use approved fixing methods.</p>	
STEP 3		<p>Fix mounting plate into position using screws provided.</p>	
STEP 4		<p>Position body over mounting plate as shown.</p>	
STEP 5		<p>Use screws provided to secure the body to the mounting plate.</p>	